

Safety Switches

The New Generation



R. STAHL Safety Switches - The New Generation

The safety switch has a function that, since 30 years, allows a quick disconnection of automatically controlled drives. The requirements of the new Series 8544 are defined such that the maintenance personnel may disconnect the respective circuits without having special knowledge of electrical engineering.

This procedure simplifies considerably the operational sequence and allows a low-cost operation of the system. The novel design of the switch used has a finger protection according to IP20.

Easy Operation - Correct Installation

Our safety switch series in plastic enclosures ranges from 12A to 180A. If rated current ranges greater than 180A are required, R. STAHL uses flameproof enclosures with connection chamber of Increased Safety (Ex e).

This produces safety switches that are able to safely disconnect ranges from 250A to 630A.

This series offers 3-pole and 6-pole switches. Each one can be equipped with various auxiliary contact functions.



Clear Assignment

- Safe technology
- Easy installation

Future-Proof Technology

- Adaptable modules
- Retrofittable at any time
- Use at ambient temperatures to – 50 °C

Intelligent Design

- Only one actuator for frequency-controlled drives
- ≥ 20 ms leading auxiliary contact for safe motor disconnection

More product details on www.electromach.com. Please enter the WebCode.

WebCode 8537A

ELECTROMACH B.V.

Jan Tinbergenstraat 193
7559 SP Hengelo
The Netherlands

T +31 (0)74 2 472 472

F +31 (0)74 2 435 925

info@electromach.nl

www.electromach.com

Bank: ABN-AMRO 24.35.24.439

IBAN: NL67FTSB0243524439

BIC: FTSBNL2RXXX

KVK nr: 06040491

Bank: ABN-AMRO 59.01.14.573

IBAN: NL29ABNA0590114573

BIC: ABNANL2A

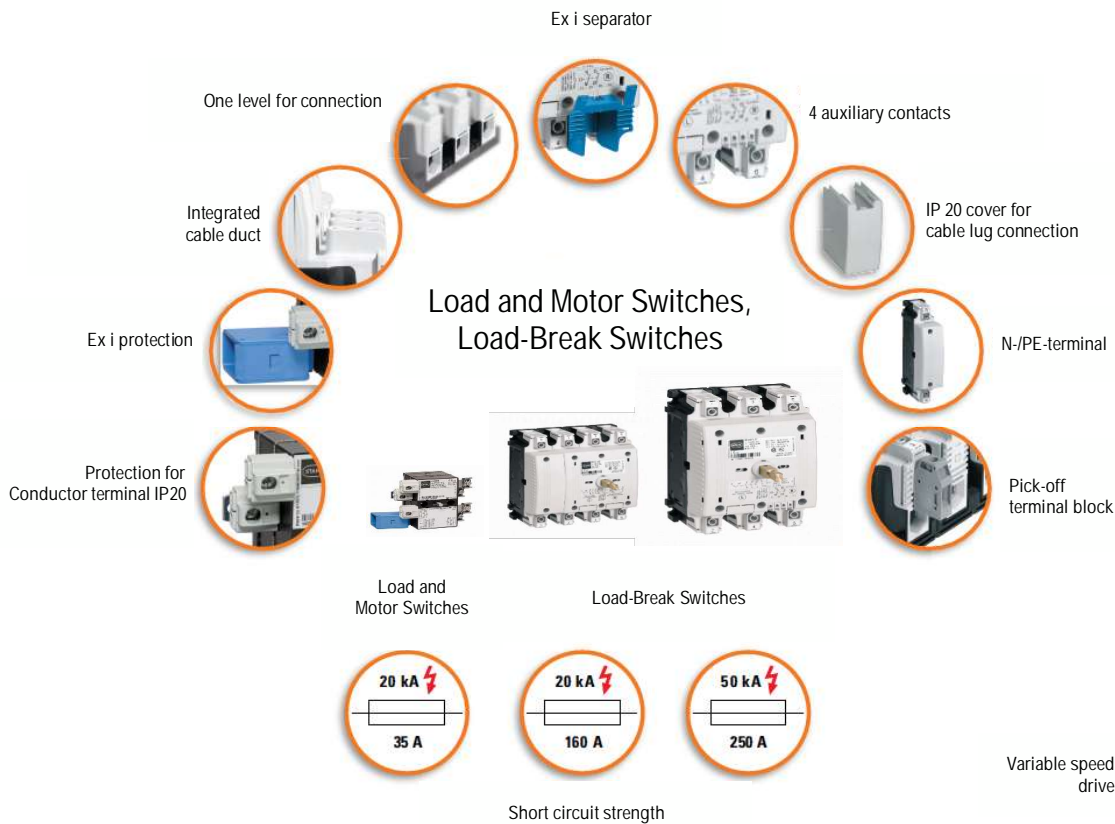
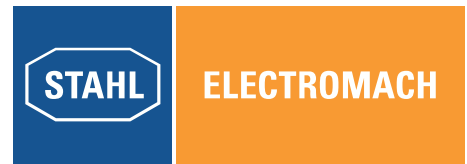
VAT/BTW: NL 003578458B01

Leveringen geschieden

overeenkomstig onze voorwaarden.

Deliveries subject to our general conditions of sale.

Modern and Safe installation

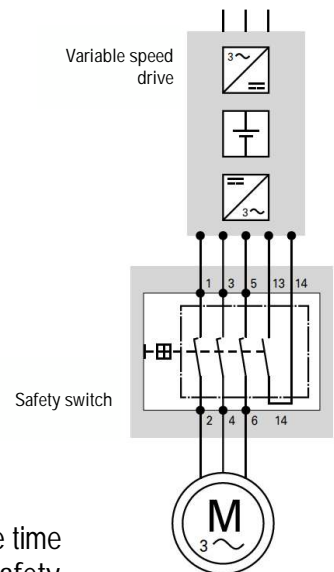


Modern Switch Design

- IP20 cover of the terminals – also with cable lug
- Ex i circuits are easily possible by fitting a separate cover
- Retrofittable with auxiliary contacts
- Integrated cable ducts for auxiliary contact wiring
- Main connection terminals arranged on one level
- Very simple and clearly marked modern switch design

Safe Switching With One Actuator

The use in circuits with frequency-controlled drives is guaranteed by the safe early make time for a auxiliary contact with a time delay of ≥ 20 ms. This guarantees the simple use of safety switches in a motor circuit with modern frequency converter by means of just one rotary actuator.



More product details on www.electromach.com. Please enter the WebCode.

WebCode 8544A



ELECTROMACH B.V.
Jan Tinbergenstraat 193
7559 SP Hengelo
The Netherlands

T +31 (0)74 2 472 472
F +31 (0)74 2 435 925
info@electromach.nl
www.electromach.com

Bank: ABN-AMRO 24.35.24.439
IBAN: NL67FTSB0243524439
BIC: FTSBNL2RXXX
KVK nr: 06040491

Bank: ABN-AMRO 59.01.14.573
IBAN: NL29ABNA0590114573
BIC: ABNANL2A
VAT/BTW: NL 003578458B01

Leveringen geschieden
overeenkomstig onze voorwaarden.
*Deliveries subject to our general
conditions of sale.*